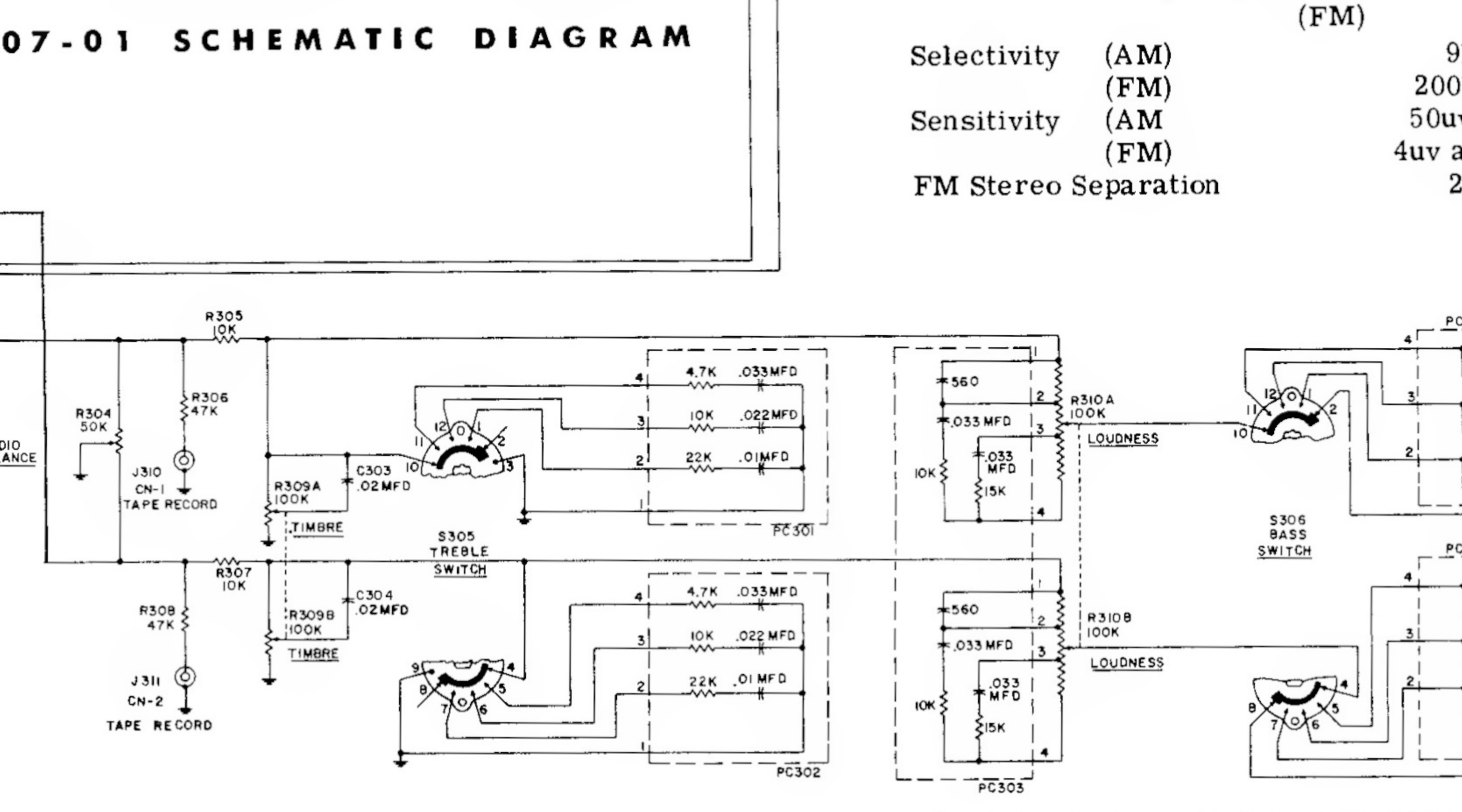
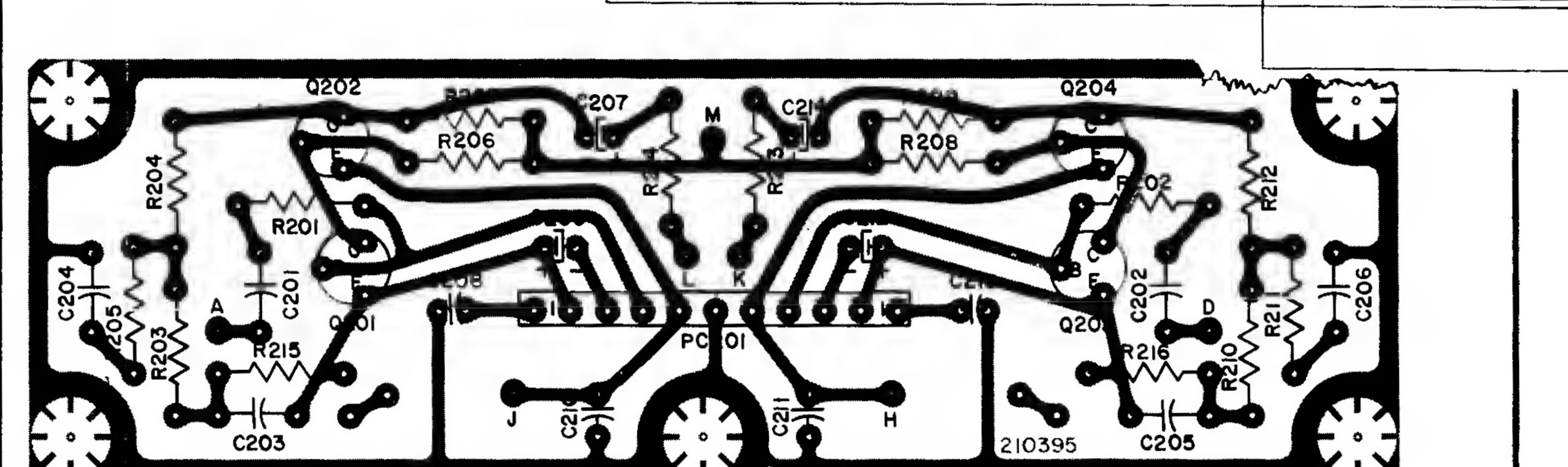
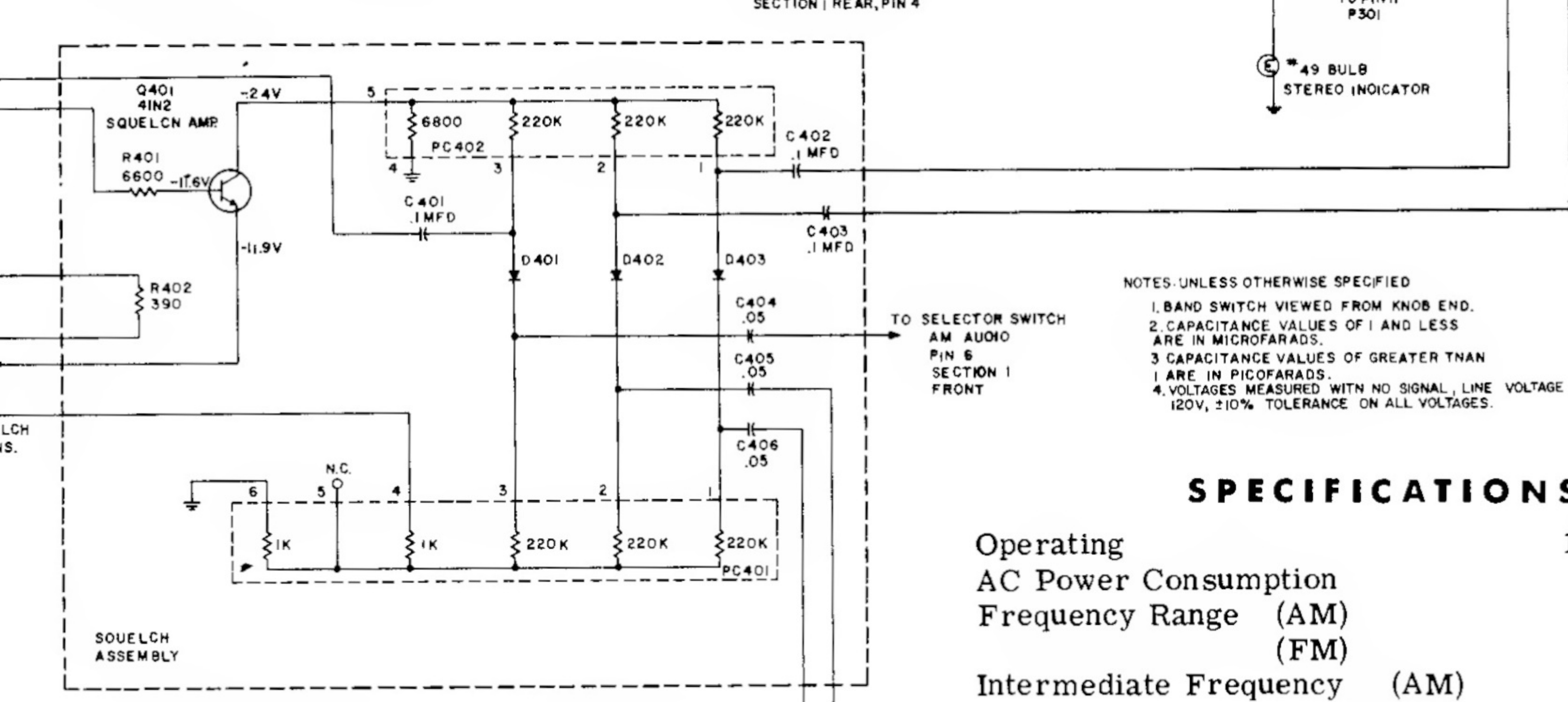
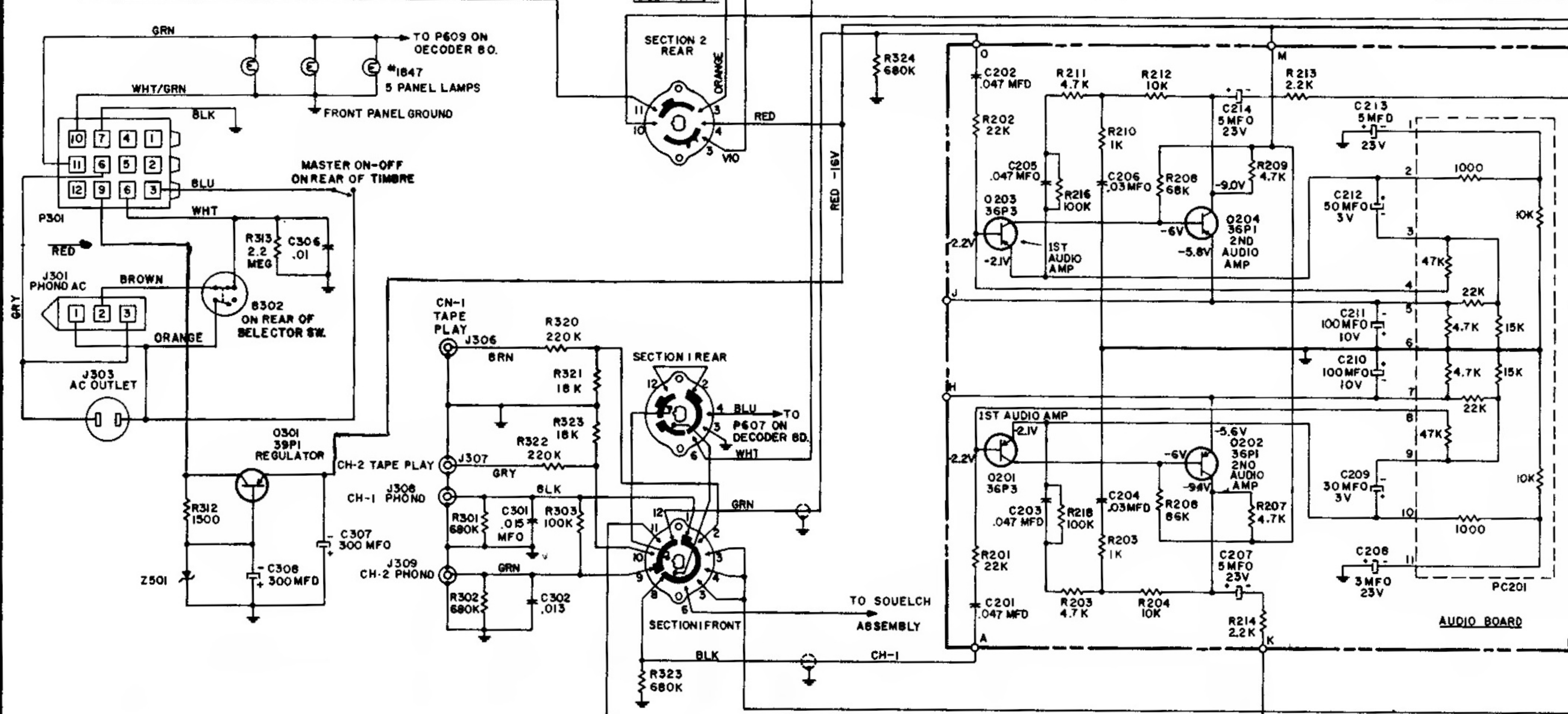
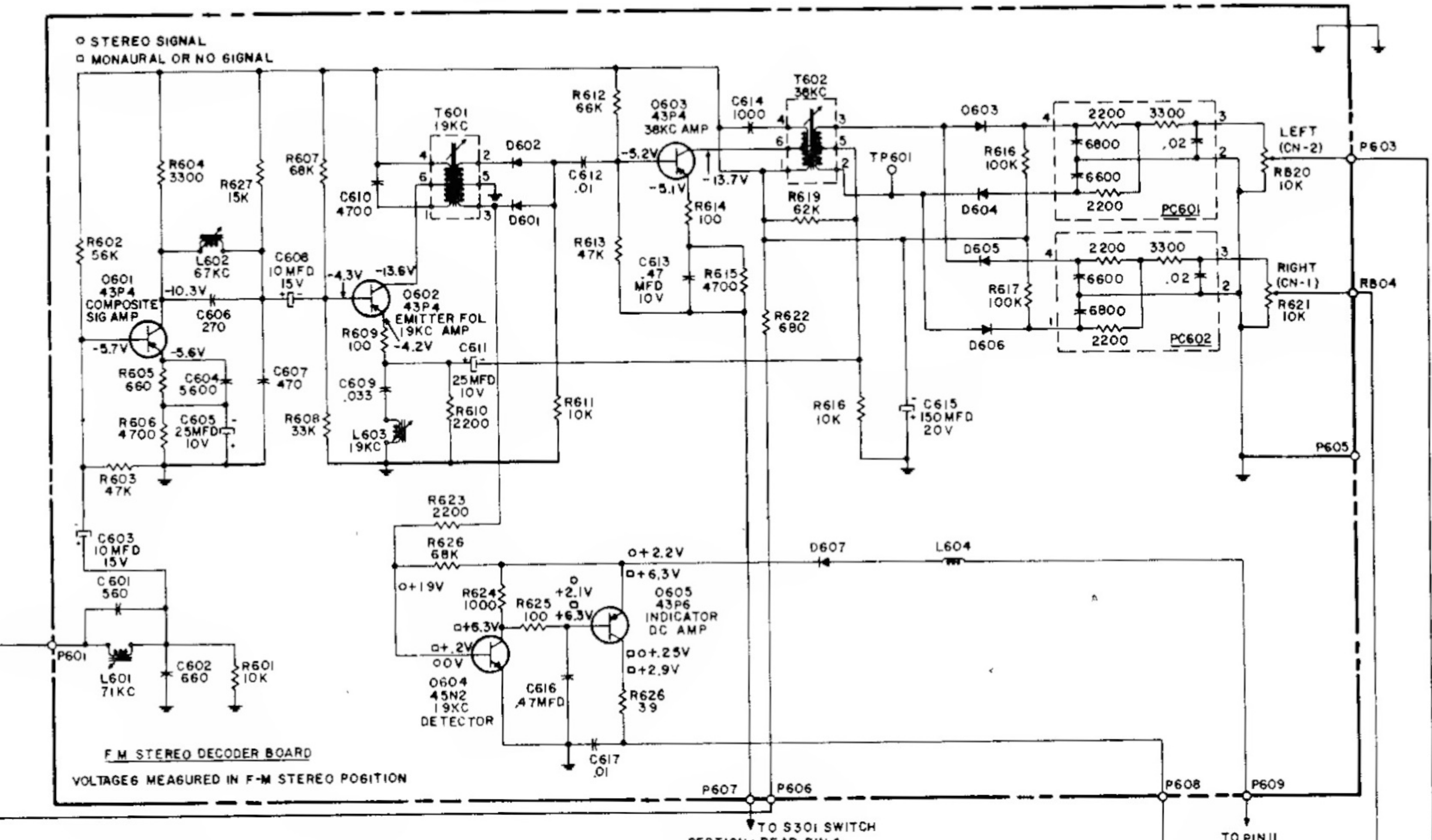
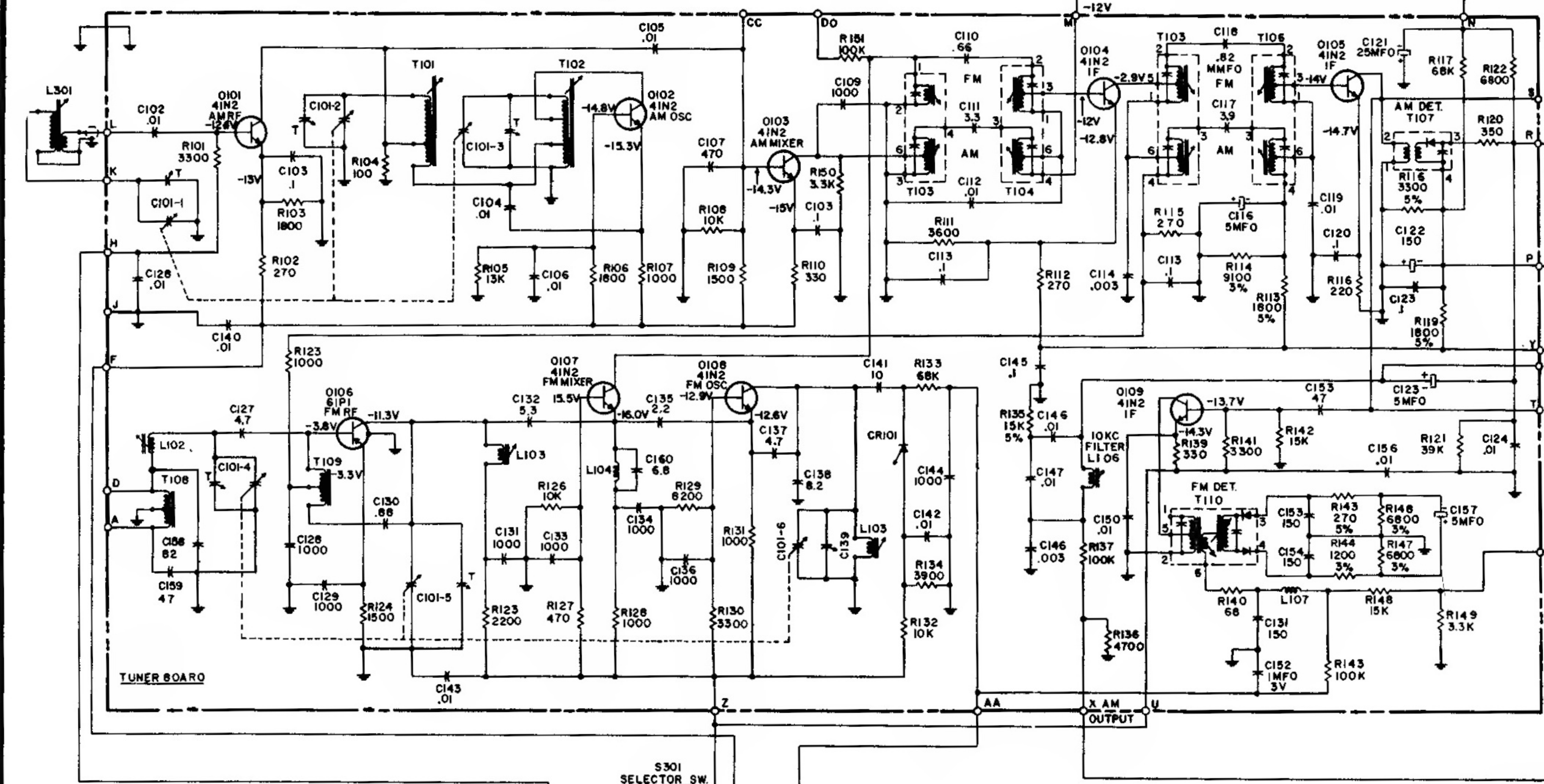


MAGNAVOX R207 Tuner Diagram

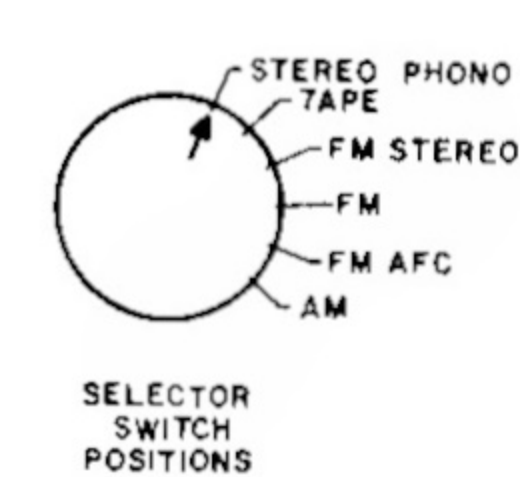


NOTES: UNLESS OTHERWISE SPECIFIED
 1. BAND SWITCH VIEWED FROM KNOB END.
 2. CAPACITANCE VALUES OF 1 AND LESS ARE IN MICROFARADS.
 3. CAPACITANCE VALUES OF GREATER THAN 1 ARE IN PICOFARADS.
 4. VOLTAGES MEASURED WITH NO SIGNAL, LINE VOLTAGE 120V, 10% TOLERANCE ON ALL VOLTAGES.

SPECIFICATIONS

Operating	120 VAC 60 cps
AC Power Consumption	40 watts
Frequency Range (AM)	535-1605KC
Intermediate Frequency (AM)	88-108MC
Intermediate Frequency (FM)	455KC
Selectivity (AM)	9KC at 6db down
Selectivity (FM)	200KC at 6db down
Sensitivity (AM)	50uv/Meter on Rod
Sensitivity (FM)	4uv at 30db Quieting
FM Stereo Separation	28db at 1000 cps

R207-01 SCHEMATIC DIAGRAM



Magnavox

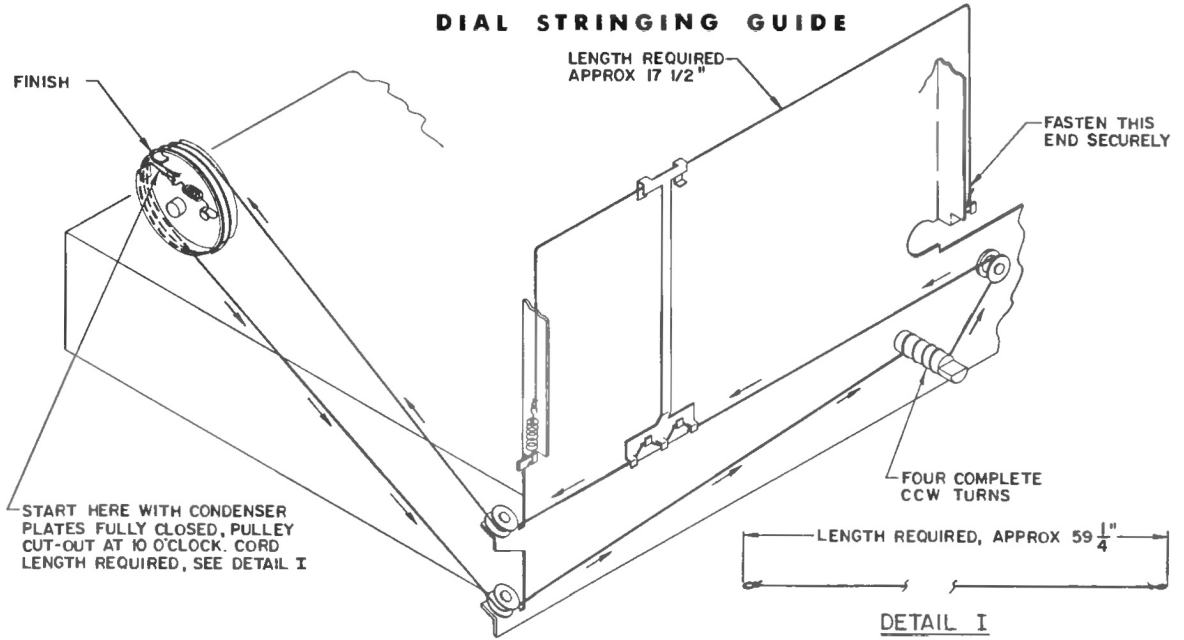
R207 AM/FM RADIO TUNER

MODELS 2ST686, 2ST687, 2ST690

The R207 Series chassis are AM-FM tuners using transistors throughout the entire circuit. These tuners are designed to operate in conjunction with an external audio amplifier which also provides the DC voltage necessary to operate the tuner. This DC voltage is dropped from a -31 VDC and regulated at -16VDC.

The Sensitivity Control (R403) is used to adjust the point at which the diodes cut off. To set this control, tune the receiver off station and adjust this control clockwise until the background noise just disappears. For reception of weak stations, it may be necessary to reduce this setting slightly.

DIAL STRINGING GUIDE



AM-FM-IF BOARD (BOTTOM VIEW)

